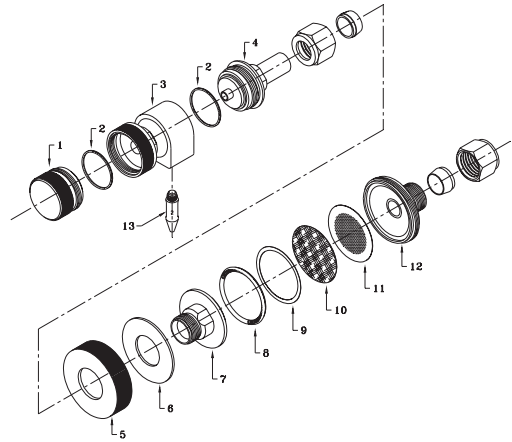


PM1 Cyclone Sampling Kit #PM1-K Packing List

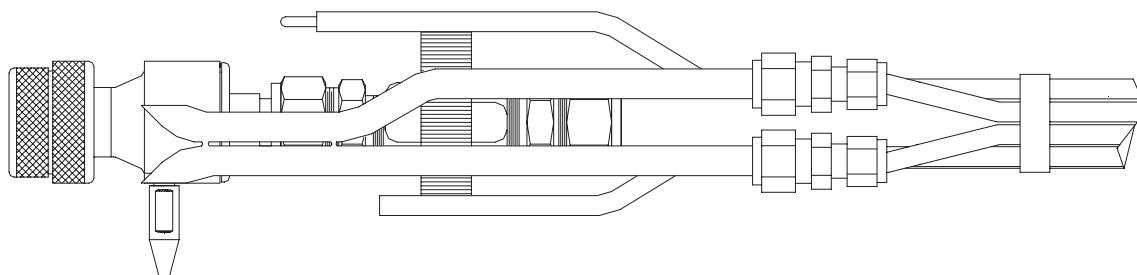


| PM1-K Kit Includes: | | | | | |
|---------------------|------------------|---|--|----------|-------------|
| Ref. No | Part # | Description | | Quantity | Qty Shipped |
| | PM1 | PM1 Cyclone Body, SS with Viton O-Rings | | 1 | |
| | | 10FF-S, 10FB-S | Ferrules, Front and Back, 5/8, SS | 1 | |
| | | N-10 | Nut, 5/8, Tube, SS | 1 | |
| 1 | Includes: | PM1-C | Collection Cup for PM1 | 1 | |
| 2 | | O-017V | O-Ring, Size 017, Viton | 6 | |
| 3 | | PM1-B | Body for the PM2.5 Cyclone | 1 | |
| 4 | | PM1-T | Top, Outlet for the PM1 | 1 | |
| 16 | PM2-NS | Nozzles, Set of 12, PM2.5, SS (<i>One Nozzle Shown</i>) | | 1 | |
| | Includes: | PM2-N1 | Nozzle, PM2, SS, .125 Size 1 | 1 | |
| | | PM2-N2 | Nozzle, PM2, SS, .138 Size 2 | 1 | |
| | | PM2-N3 | Nozzle, PM2, SS, .156 Size 3 | 1 | |
| | | PM2-N4 | Nozzle, PM2, SS, .172 Size 4 | 1 | |
| | | PM2-N5 | Nozzle, PM2, SS, .188 Size 5 | 1 | |
| | | PM2-N6 | Nozzle, PM2, SS, .200 Size 6 | 1 | |
| | | PM2-N7 | Nozzle, PM2, SS, .216 Size 7 | 1 | |
| | | PM2-N8 | Nozzle, PM2, SS, .234 Size 8 | 1 | |
| | | PM2-N9 | Nozzle, PM2, SS, .253 Size 9 | 1 | |
| | | PM2-N10 | Nozzle, PM2, SS, .274 Size 10 | 1 | |
| | | PM2-N11 | Nozzle, PM2, SS, .296 Size 11 | 1 | |
| | | PM2-N12 | Nozzle, PM2, SS, .320 Size 12 | 1 | |
| | SFA-47 | Filter Assembly, 47mm, 5/8TU, SS | | 1 | |
| 5 | Includes: | 10FF-S, 10FB-S | Ferrules, Front and Back, 5/8, SS | 2 | |
| 6 | | N-10 | Nut, 5/8, Tube, SS | 2 | |
| 7 | | SFA-47RB | Ring, Knurled and Threaded, SS | 1 | |
| 8 | | SF-TT20 | Thrust Ring, Teflon .062" thick | 1 | |
| 9 | | SFA-47I-10 | Inlet, Filter, SS for SFA-47, 5/8 TU | 1 | |
| 10 | | O-223V | O-Ring, Viton for SFA-47 (260°C/500°F) | 3 | |
| 11 | | SFA-47RFG | Filter Guard Ring, SS | 1 | |
| 12 | | SFA-47SS1 | Screen, Filter Support, SS | 1 | |
| 13 | | SFA-47O-10 | Outlet, Filter, SS, 5/8 TU | 1 | |
| | PM10-CS | Case, PM10 or PM2.5, with Foam Insert, Cyclone | | 1 | |

PM1 Cyclone Sampling Kit



The cyclone is based on the cyclone "V" from the multi-stage cyclone system designed and calibrated by Southern Research Institute under contract for the EPA. The design has been modified to accept the nozzles from the PM2.5 cyclone, which has been expanded to a set of 12 different size nozzles. The sample flow rate must be maintained, in which the constant rate determines the actual "D50" cut-point. The cyclone is followed by a 47mm filter assembly. Quartz- or PTFE-coated glass fiber filters should be used to minimize reactivity with the flue gas. The cyclone and nozzles are constructed from grade 316 stainless steel with Viton O-rings.



| Optional Parts and Accessories: | | |
|--|--|-----------|
| 10* <i>Option</i> | 47mm TFE Coated Glass Fiber Filters, 100/box | GF-47T |
| 8* <i>Option</i> | O-Ring, Stainless Steel, SFA-47 (650°C/1200°F) | O-223H |
| 2* <i>Option</i> | O-Ring, Stainless Steel, PM1 (650°C/1200°F) | O-017H |
| <i>Not Shown</i> | Extended Pitot Tip for PM 2.5, PM1 | MPT-6-181 |
| <i>Not Shown</i> | Antiseize, Nickel Based, 4-oz can w/brush | AZNI-4 |

For more information please contact us at:

Tel: (919) 557-7300 / Fax: (919) 557-7110 / Email: info@apexinst.com / Web: